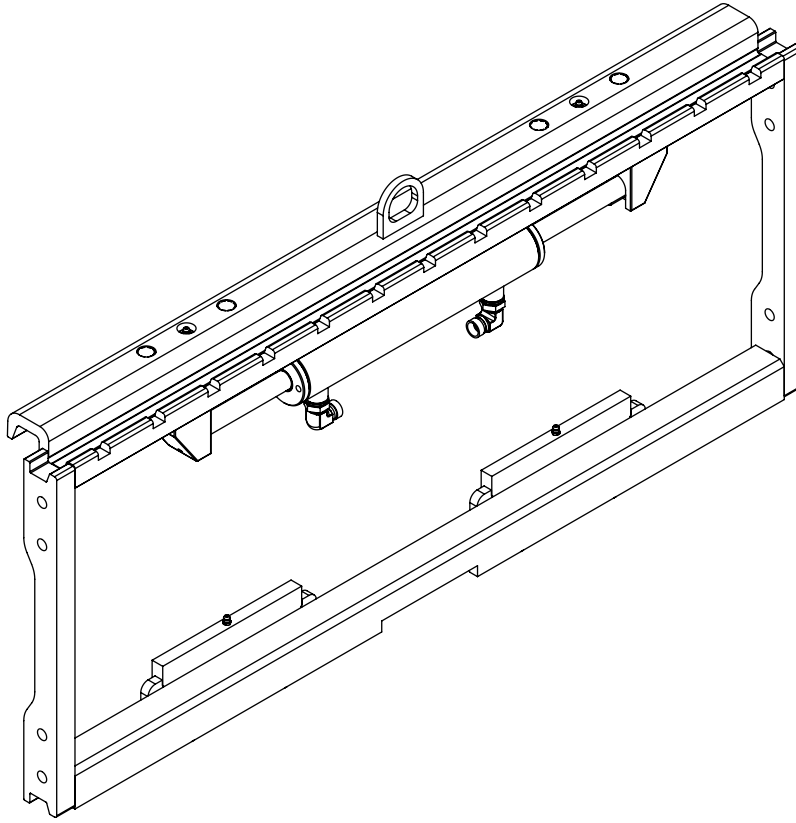


# Parts Manual

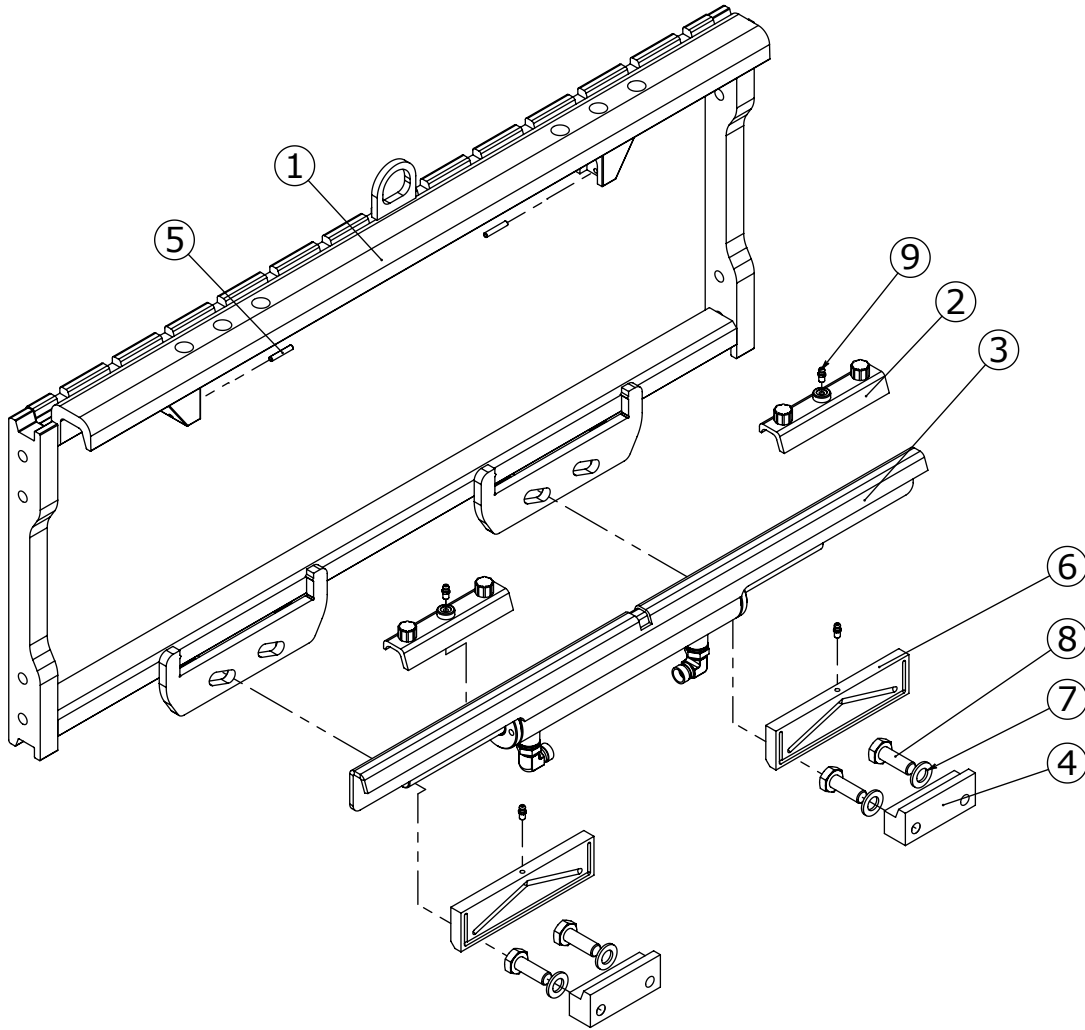


Attachment Side Shifter

Model 035YKX-B1020

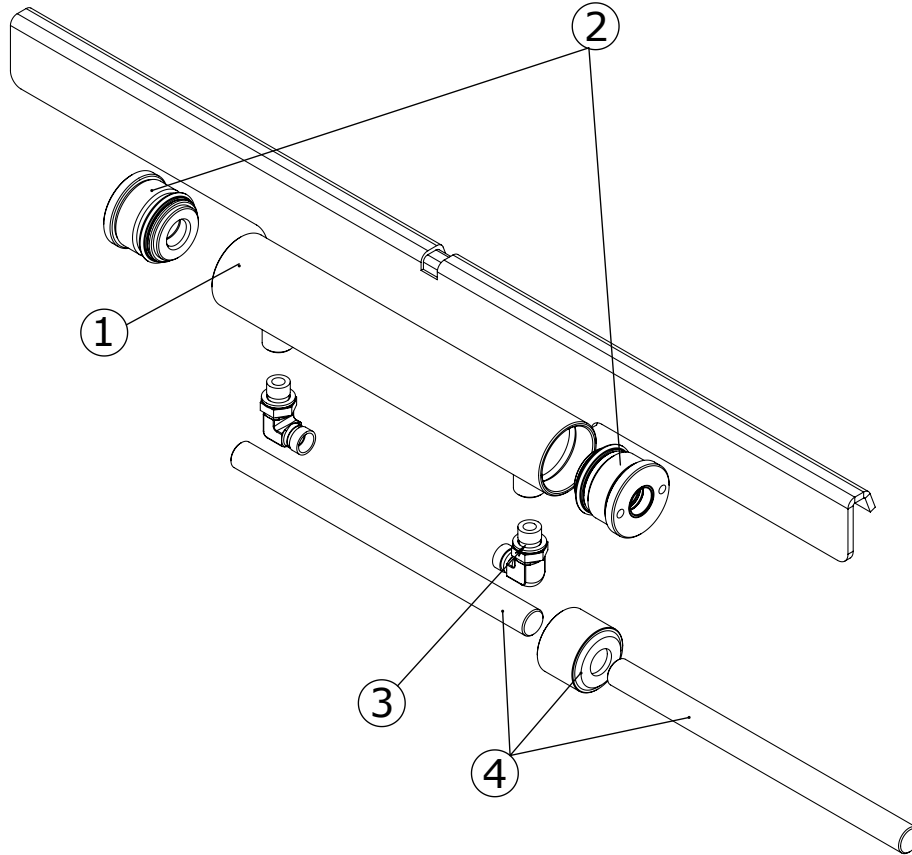
**Manufacturer:** Gulmak Istif Makinaları Ltd. Sti.  
**Address:** Yeni Metal Sanayi Sitesi, Yesiloba Mahallesi 49247 Sokak No:2/A Seyhan-Adana / TURKEY  
**E-mail:** info@waggoner.com.tr  
**Phone:** +90 322 428 08 58  
**Internet:** www.waggoner.com.tr

## Sideshifter Assembly



YKX			
REF	QTY	PART NO.	DESCRIPTION
1	1	12-215 YKX-01	Frame
2	2	12-2-11 YKX-02	Upper Bearing
3	1	12-1-11 YKX-02	Cylinder Assembly
4	2	12-1-11YKX-06	Lower Hook
5	2	ISO13337-540N-ST	Roll Pin
6	2	12-1-10YKX-07	Lower Bearing
7	4	B1822M	Washer
8	4	B18233M-M14240-40C	Capscrew, M14x40
9	4	GRS-M6	Grease Fitting

## Sideshift Cylinder



YKX			
REF	QTY	PART NO.	DESCRIPTION
1	1	12-1-11 YKX-02-02-01	Cylinder Shell
2	2	PST-605020	Retainer
3	2	NPL-M18	Fitting, M18
4	1	ASMPST-605020	Rod/Piston Assembly