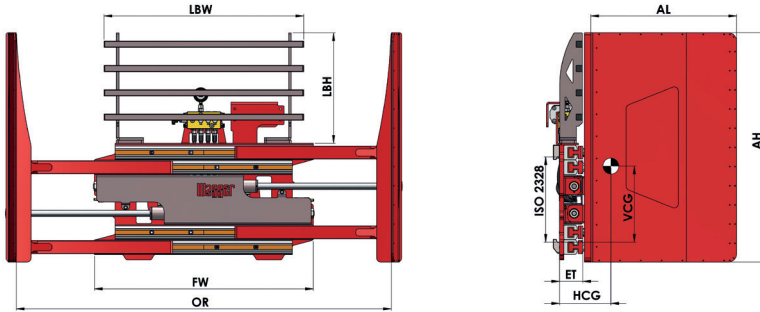
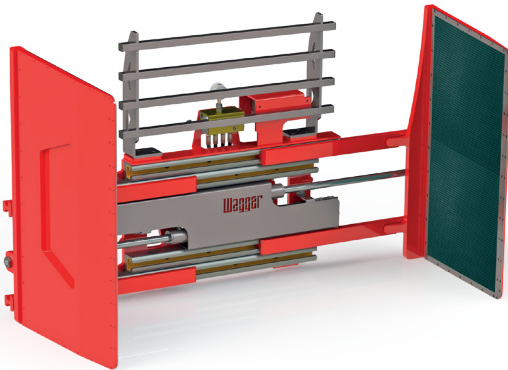


## Carton Clamp



Catalog No	Capacity@ Load Centre	Mounting Class	Carriage Width	Opening Range (mm)	Arm Dimensions (mm)	Effective Thickness (mm)	Horizontal Centre of Gravity (mm)	Weight
	kg/mm	ISO 2328	FW	OR	AL / AH / L / AT	ET	HCG	kg
010CSR-A02GR	1000/500	2A	900	480-1400	700/1000/30	96	433	700
010CSR-A03GR	1000/500	2A	1100	480-1600	700/1100/30	96	433	710
010CSR-A06GR	1000/500	2A	1200	480-1740	700/1100/30	111	447	720
014CSR-A11GR	1400/500	2A	1100	500-1900	700/1100/30	111	447	730
014CSR-A13GR	1400/500	2A	1200	600-2100	800/1200/30	111	447	740
014CSR-A11GR	1400/500	3A	1300	750-2500	800/1200/30	111	447	750



### Technical Information

It is used for loading, unloading or stacking carton boxes  
 Load Backrest is standard  
 1 hydraulic function  
 Flow Divider  
 Optionals;  
 Quick Release Hooks  
 Pressure Gauge  
 Hoses & Jack Set