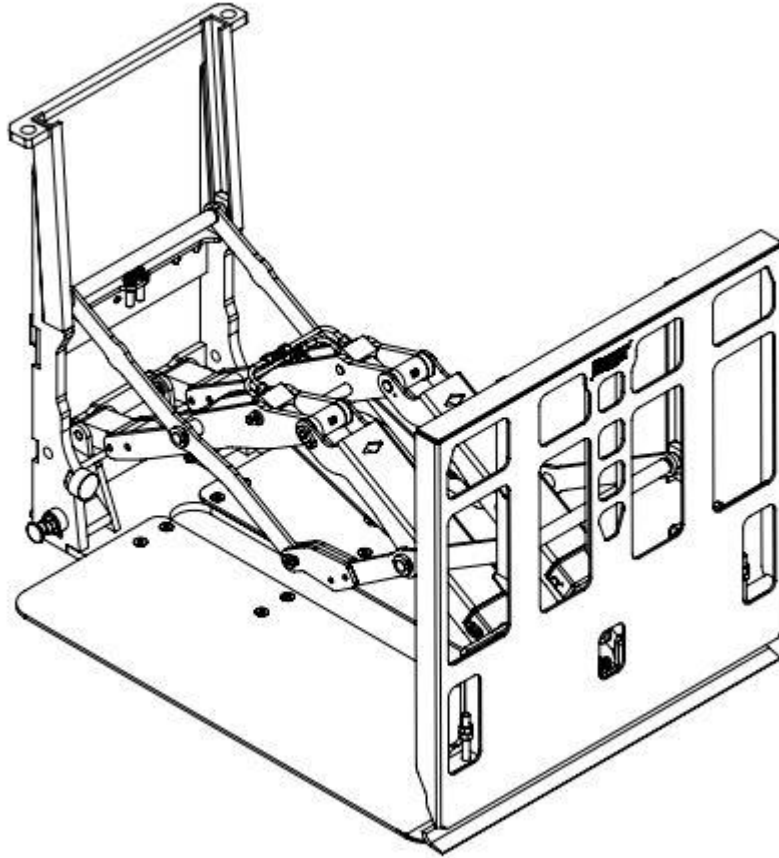


Parts Manual



Attachments: PUSH&PULL ATTACHMENT

Model: 016SCK-B1510



Manufacturer: Gulmak Istif Makinaları Ltd. Sti.

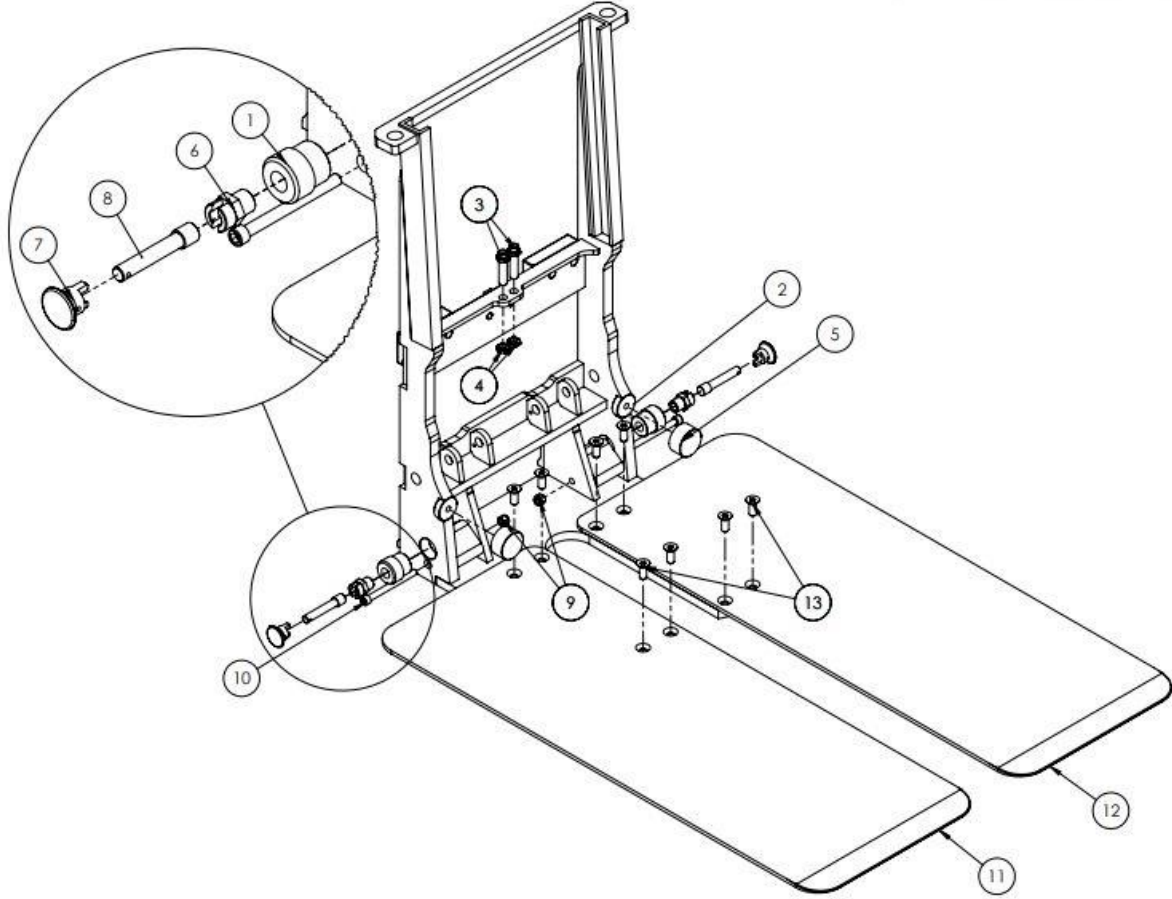
Address: Yeni Metal Sanayi Sitesi, Yesiloba Mahallesi 49247 Sokak No:2/A Seyhan-Adana / TURKEY

E-mail: info@wagger.com.tr

Phone: +90 322 428 08 58

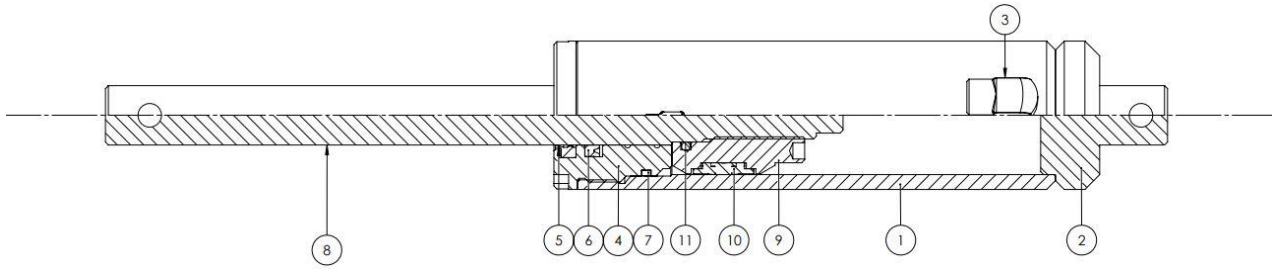
Internet: www.wagger.com.tr

Frame Unit



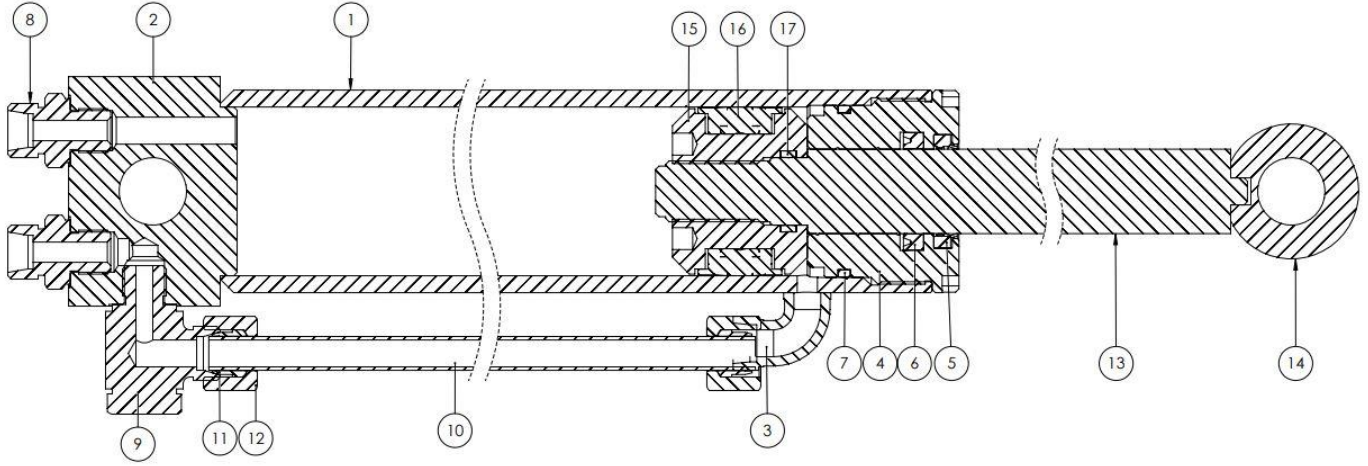
| REF | PART NO. | DESCRIPTION | QTY. |
|-----|------------------------------|--------------------------|------|
| 1 | 10-2-17 SCK-01-11 | | 2 |
| 2 | 10-2-17 SCK-01-15 | | 2 |
| 3 | NPM16M18 | M16-M18 Fitting | 2 |
| 4 | Somun M16 (perde geçiş) Özel | M16 Nut | 2 |
| 5 | 10-2-17 SCK-70 | Stoper | 2 |
| 6 | 1-5-8 CFP-17-03 | | 2 |
| 7 | 1-5-8 CFP-17-04 | | 2 |
| 8 | 10-2-17 SCK-66 | Pin | 2 |
| 9 | SFNM12-G33 | M12 Nut | 2 |
| 10 | CHSM12130-G6T0 | MX12X130 Capscrew | 2 |
| 11 | 10-2-17 SCK-12 | Plate | 1 |
| 12 | 10-2-17 SCK-13 | Plate | 1 |
| 13 | CHCM14035-H5T0 | M14X35 Countersunk Screw | 8 |

Cylinder - 1



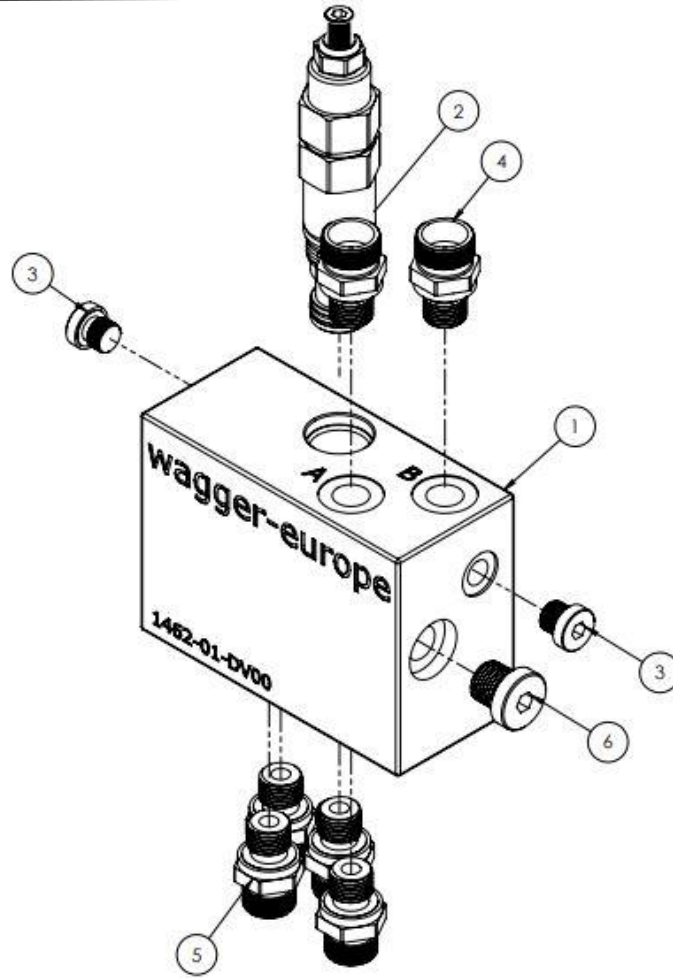
| REF. | PART NO. | DESCRIPTION | QTY. |
|------|-----------------------------|------------------|------|
| 1 | 10-2-17 SCK-43-01-01 | Shell | 1 |
| 2 | 10-2-17 SCK-23-01-02 | Shell Back Cover | 1 |
| 3 | nipel 3/8 - M12 (90°) kesik | Fitting | 2 |
| 4 | RT504020-101 | Wiper | 1 |
| 5 | K06-020 (20) | Seal | 1 |
| 6 | K21-020'1 (20) | Seal | 1 |
| 7 | K84-041 (5040) | Seal | 1 |
| 8 | 10-2-17 SCK-24-01 | Rod | 1 |
| 9 | PS504020-101 | Piston | 1 |
| 10 | K18 040-032 (5040) | Compact Set | 1 |
| 11 | KO-0180030 (18x3) | Seal | 1 |

Cylinder - 2



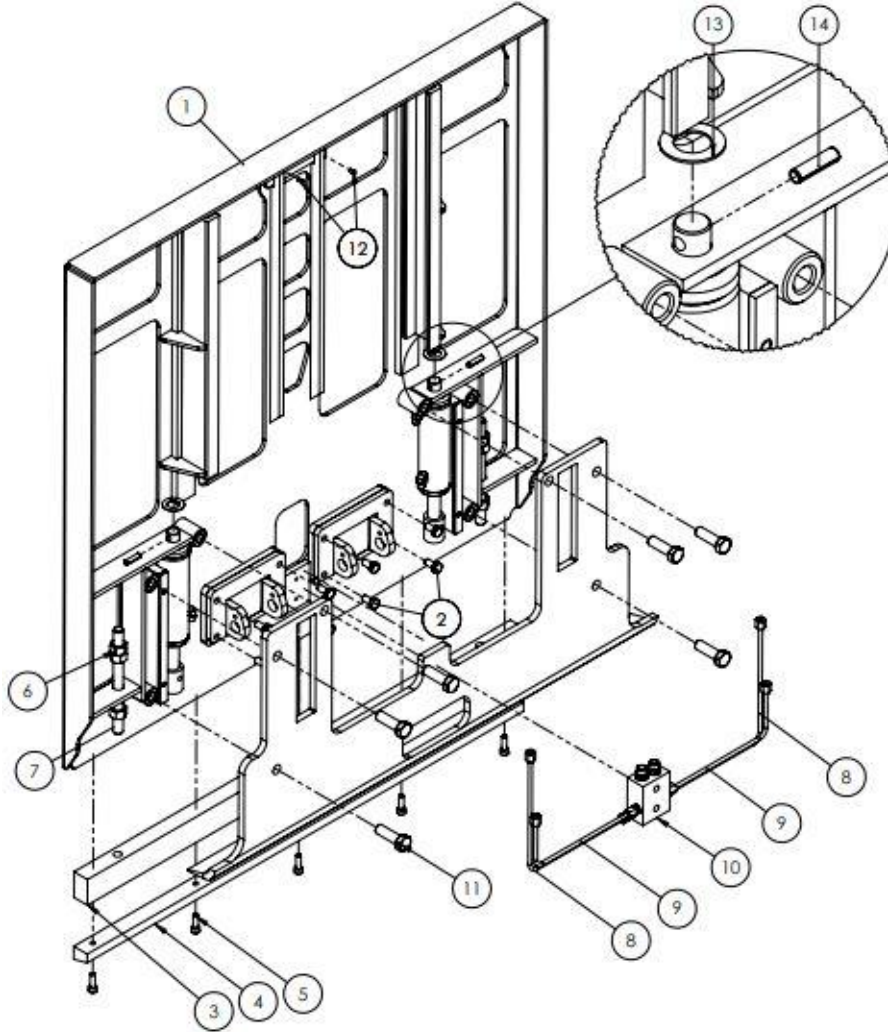
| REF | PART NO. | DESCRIPTION | QTY. |
|-----|-----------------------|-------------|------|
| 1 | 10-2-17 SCK-25-01-01 | Shell | 1 |
| 2 | 10-2-17 SCK-25-01-02 | Shell | 1 |
| 3 | nipel 90° (M16) Kesik | M16 Elbow | 1 |
| 4 | RT605025-101 | Wiper | 1 |
| 5 | TK3325-0530 | Seal | 1 |
| 6 | NR3525-0600 | Seal | 1 |
| 7 | KK5146-0390 | Seal | 1 |
| 8 | nipel 1'4 - M16 | Fitting | 2 |
| 9 | ¼-M16 Döner Dirsek | M16 Elbow | 1 |
| 10 | 10-2-17 SCK-25-02-01 | Shell | 1 |
| 11 | M16 Nipel iç yüzüğü | Fitting | 2 |
| 12 | M16 Nipel somunu | Fitting | 2 |
| 13 | 10-2-17 SCK-26-01-01 | Rod | 1 |
| 14 | 10-2-17 SCK-26-01-02 | Rod | 1 |
| 15 | PS605025-101 | Piston | 1 |
| 16 | SK05034-2050 | Compact Set | 1 |
| 17 | KK2420-0480 | Seal | 1 |

Valve Assembly



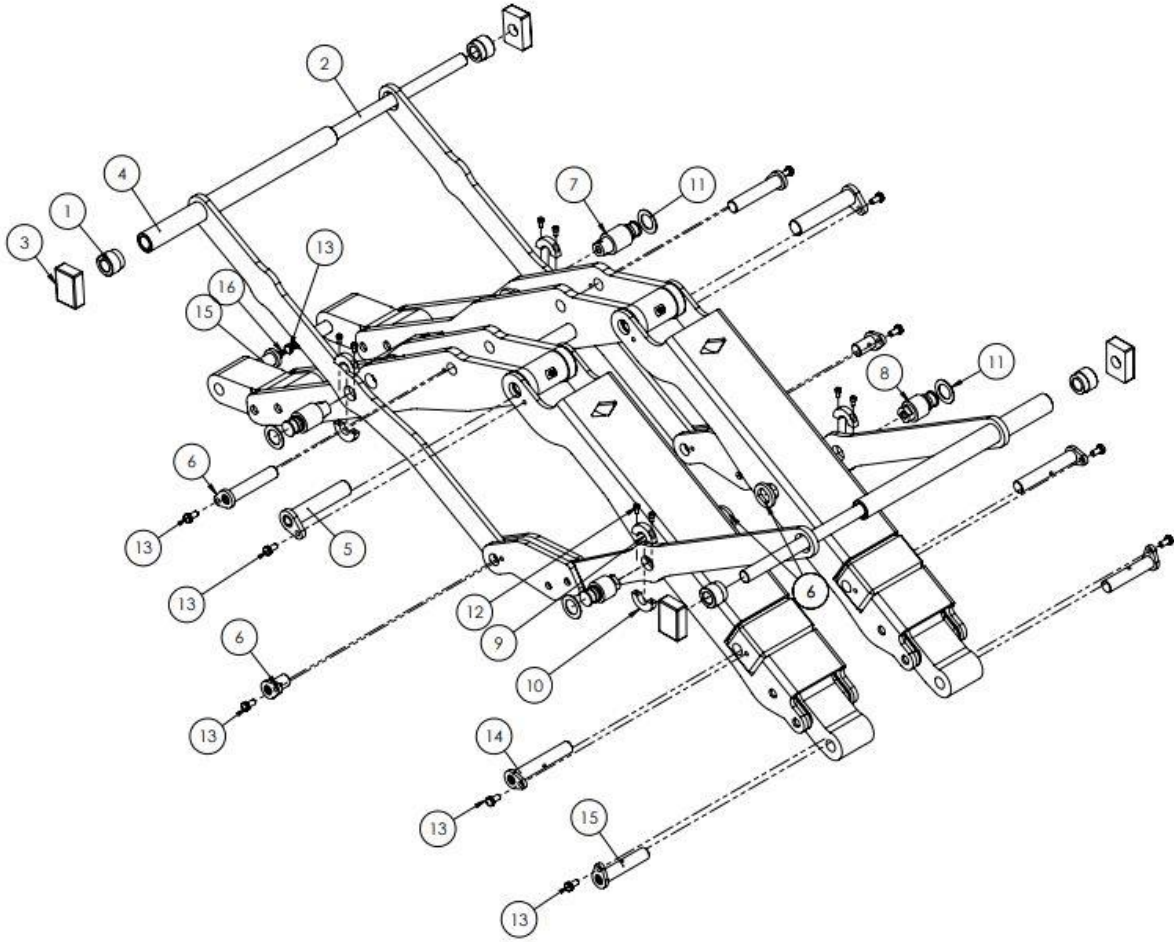
| REF | PART NO. | DESCRIPTIONS | QTY. |
|-----|----------------|--------------|------|
| 1 | 1462-01-DV00BH | Valve | 1 |
| 2 | CW0PS0-01 | Check Valve | 1 |
| 3 | HSPG18 | Fitting | 2 |
| 4 | NIG14M18 | Fitting | 2 |
| 5 | NIG14M16 | Fitting | 4 |
| 6 | HSPG14 | Fitting | 1 |

Push Unit Assembly



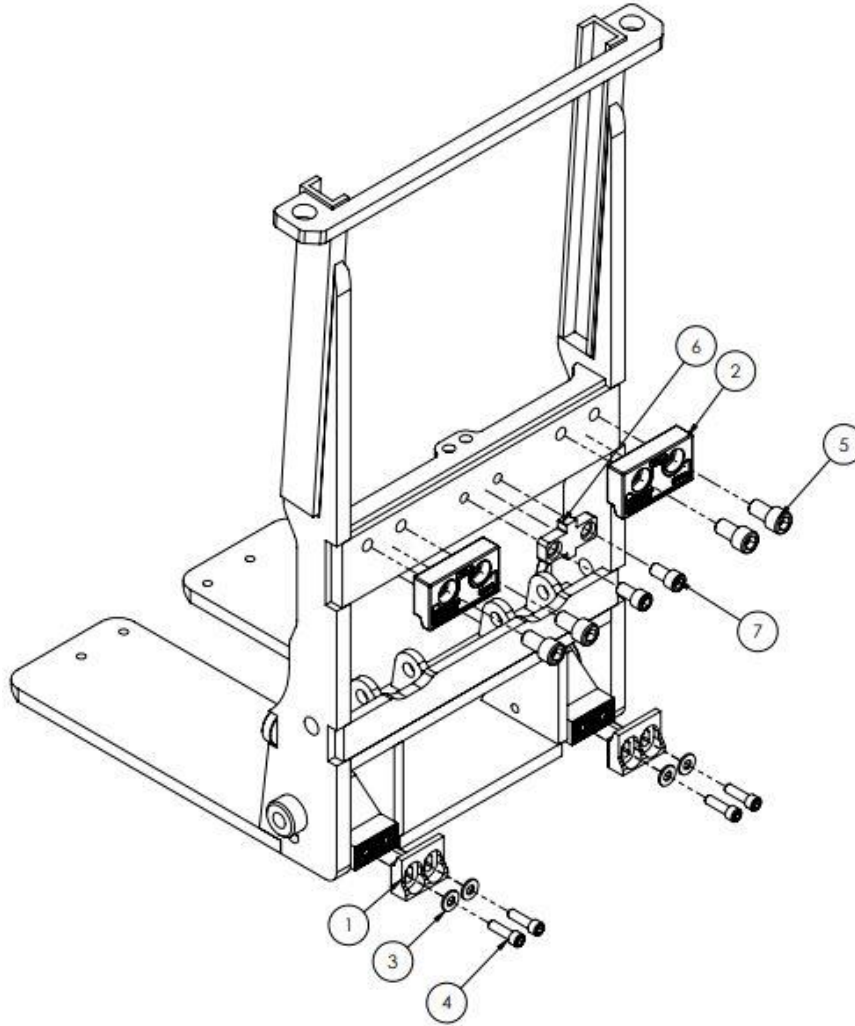
| REF | PART NO. | DESCRIPTION | QTY. |
|-----|----------------------|-------------------------|------|
| 1 | 10-2-17 SCK-20-08 | Plate | 1 |
| 2 | CHXM10020-F5T0 | M10X20 Headscrew | 8 |
| 3 | 10-2-17 SCK-22-01-01 | Gripper Bar | 1 |
| 4 | 10-2-17 SCK-22-04 | Gripper Pad | 1 |
| 5 | CHSM08025-E6T0 | M8X25 Capscrew | 5 |
| 6 | SHNM16-H33 | M16 Nut | 6 |
| 7 | 10-2-17 SCK-22-05 | M16 Screw | 2 |
| 8 | 10-2-17 SCK-44-01 | Shell | 2 |
| 9 | 10-2-17 SCK-45-01 | Shell | 2 |
| 10 | 10-2-17 SCK-46-01 | Valve | 1 |
| 11 | CHXM16050-H5T0 | M16X50 Headscrew | 6 |
| 12 | CHCM05010-S5T0 | M5X10 Countersunk Screw | 2 |
| 13 | 10-2-17 SCK-69 | Washer | 2 |
| 14 | SP08-030 | Pin | 2 |

Push-Pull Unit Mechanism



| REF. | PART NO. | DESCRIPTION | QTY. |
|------|----------------------|-------------------|------|
| 1 | 10-2-17 SCK-18-01-04 | | 4 |
| 2 | 10-2-17 SCK-18-03 | Pin | 2 |
| 3 | 10-2-17 SCK-18-04 | | 4 |
| 4 | 10-2-17 SCK-18-05 | Pin | 2 |
| 5 | 10-2-17 SCK-31-01 | Pin | 2 |
| 6 | 10-2-17 SCK-33-02 | | 10 |
| 7 | 10-2-17 SCK-36 | | 2 |
| 8 | 10-2-17 SCK-37 | | 2 |
| 9 | 10-2-17 SCK-40 | | 4 |
| 10 | 10-2-17 SCK-41 | | 4 |
| 11 | 10-2-17 SCK-39 | Shim | 4 |
| 12 | CHSM05010-S6T0 | M5X10 Capscrew | 8 |
| 13 | CHXM08016-J5T0 | M8X16 Headscrew | 12 |
| 14 | 10-2-17 SCK-35-01 | Pin | 2 |
| 15 | 10-2-17 SCK-33-01 | Pin | 4 |
| 16 | GRM6A00 | M6 Grease Fitting | 2 |

Mounting Group



| REF | PART NO. | DESCRIPTION | QTY. |
|-----|----------------|-----------------|------|
| 1 | 10-2-17 SCK-65 | Lower Hook | 2 |
| 2 | HK209 | Upper Hook | 2 |
| 3 | PL12-3 | Washer | 4 |
| 4 | CHSM12040-G6T0 | M12X40 Capscrew | 4 |
| 5 | CHSM20035-J6T0 | M20X35 Capscrew | 4 |
| 6 | 10-2-17 SCK-51 | | 1 |
| 7 | CHSM16030-H6T0 | M16X30 Capscrew | 2 |